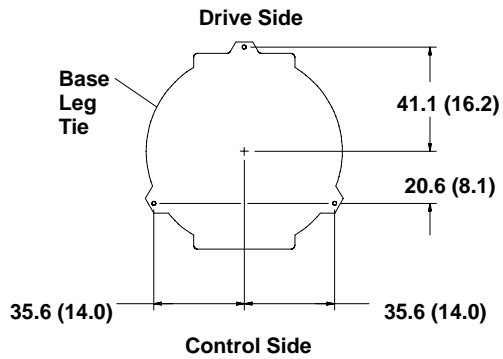


1SR2/SI, 1SR1.5/SI, and 4SJ4/SI Floor Plan

Dimensions are in centimeters (inches).



MACHINE LEVELING POINTS

